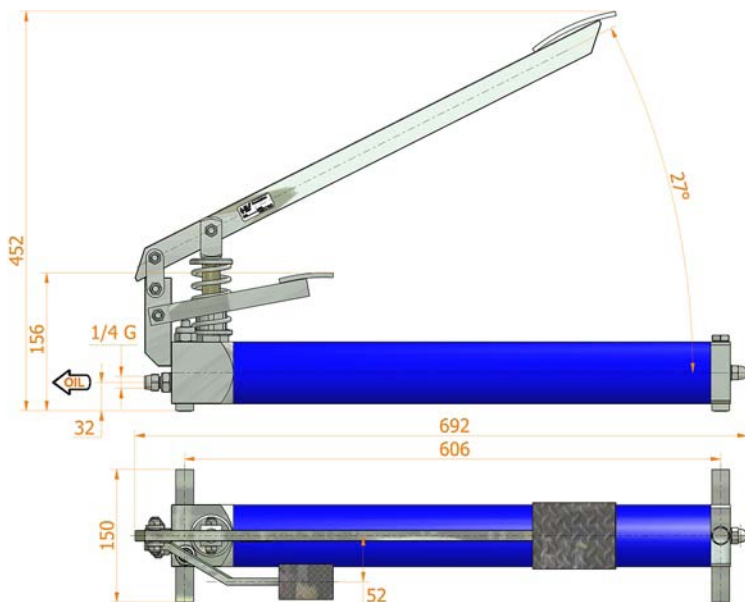
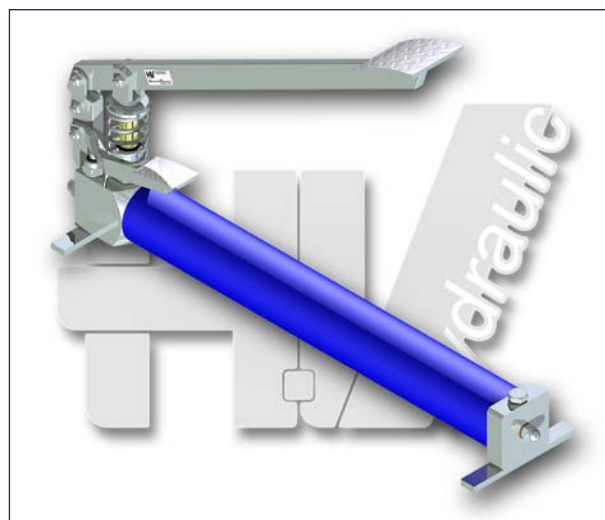
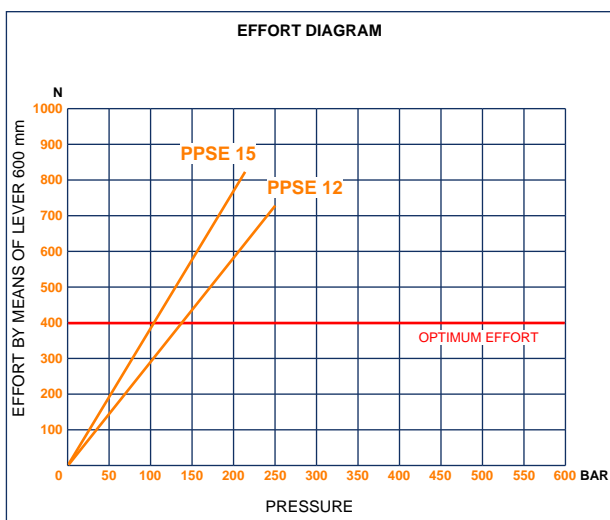
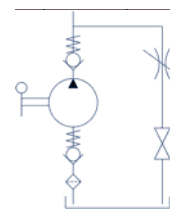


PPSE 12-15

with release lever
single acting pump for a single acting cylinder
with 1,5 lt tank



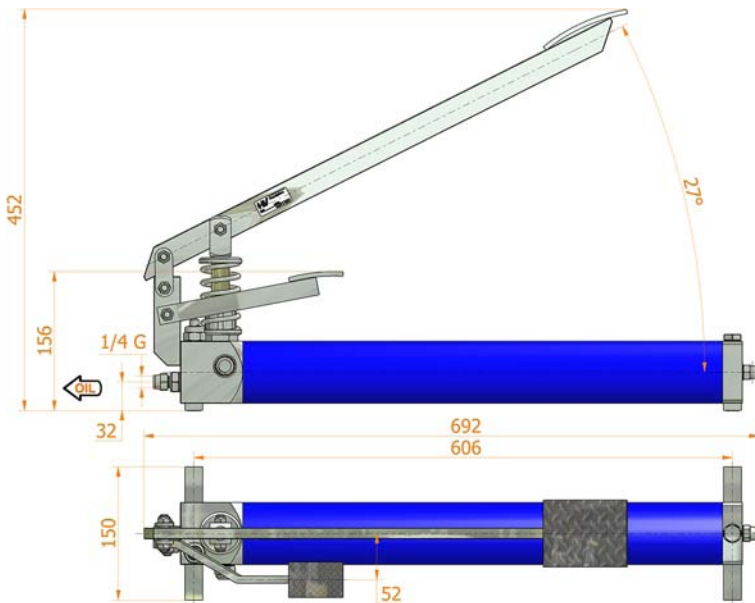
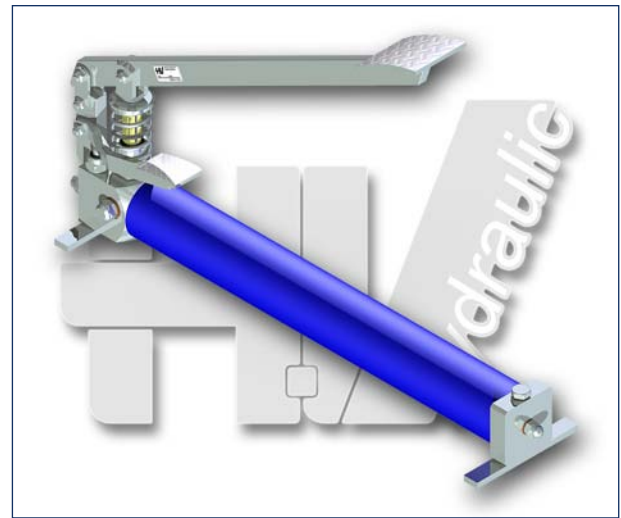
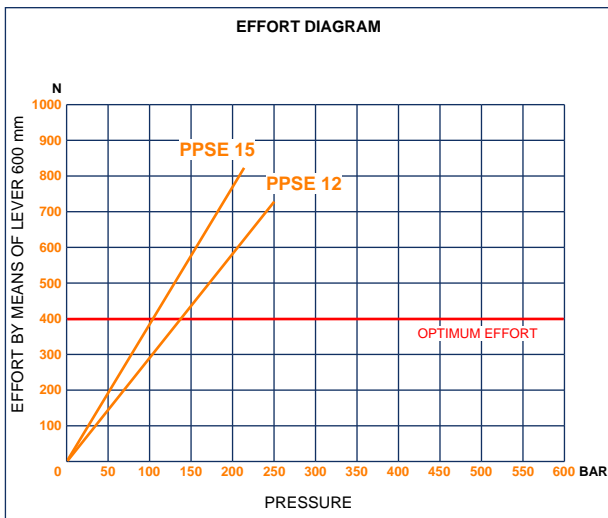
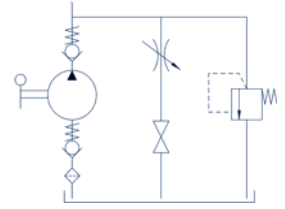
Specifications:

- White **zinc plated** steel body
- Piston treated with **Niploy**
- White **zinc plated** external parts
- Standard colour **blue**

DISPLACEMENT cm ³	A mm	B mm	C mm	D °	E °	ACTUAL DISPLACEMENT cm ³	PRESSURE BAR		MASS KG	CODE
							OPTIMAL	MAX		
12	--	--	--	--	--	11,445	140	250	10,000	6089.0000
15	--	--	--	--	--	14,130	110	220	10,000	6090.0000

PPSE 12-15 byB

with release lever
with pressure relief valve
single acting pump for a single acting cylinder
with 1,5 lt tank



Specifications:

- White **zinc plated** steel body
- Piston treated with **Niploy**
- White **zinc plated** external parts
- Standard colour **blue**
- Pressure relief valve standard setting: **200 bar**

DISPLACEMENT cm ³	A mm	B mm	C mm	D °	E °	ACTUAL DISPLACEMENT cm ³	PRESSURE BAR		MASS KG	CODE
							OPTIMAL	MAX		
12	--	--	--	--	--	11,445	140	250	10,000	6089.0001
15	--	--	--	--	--	14,130	110	220	10,000	6090.0001