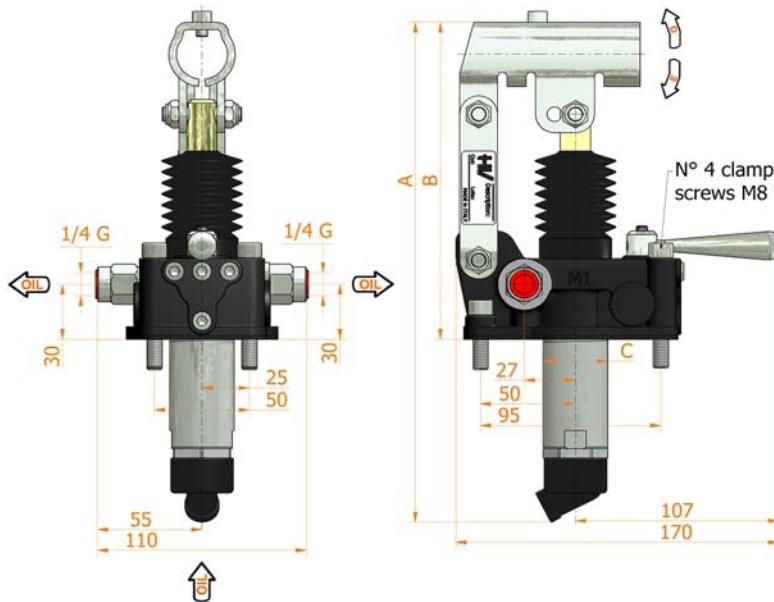
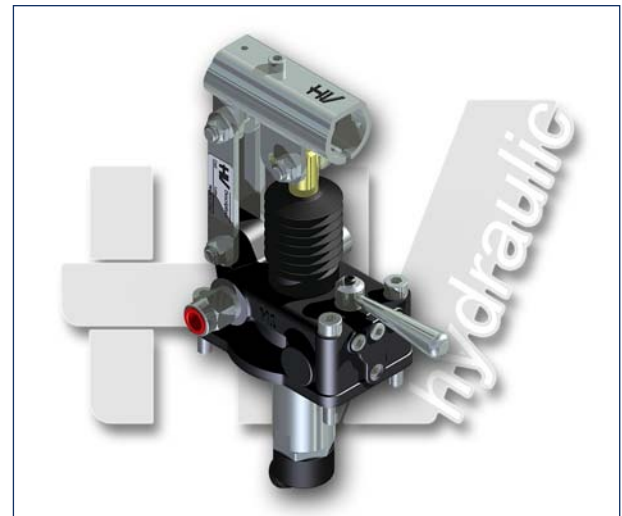
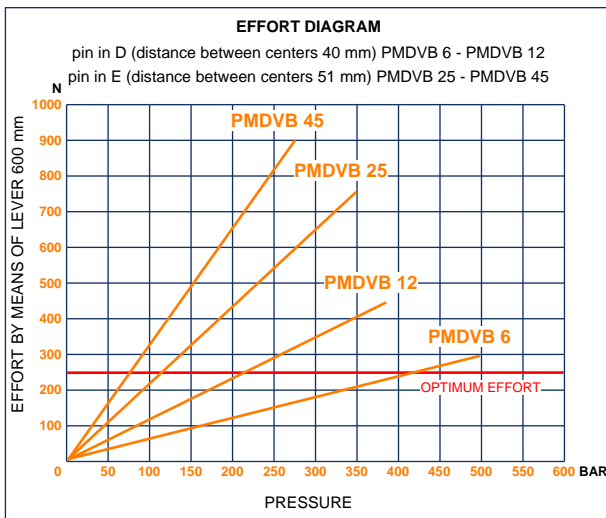
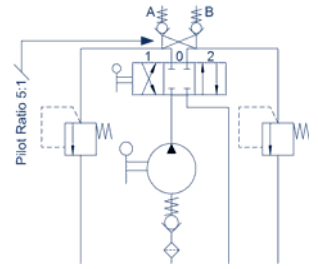


PMDVB 6-12-25-45 byAB-s

with 4/3 flow divider
with dual pilot check valve
with brakes - with pressure relief valve
double acting hand pump for a double acting cylinder
for fixing to tank



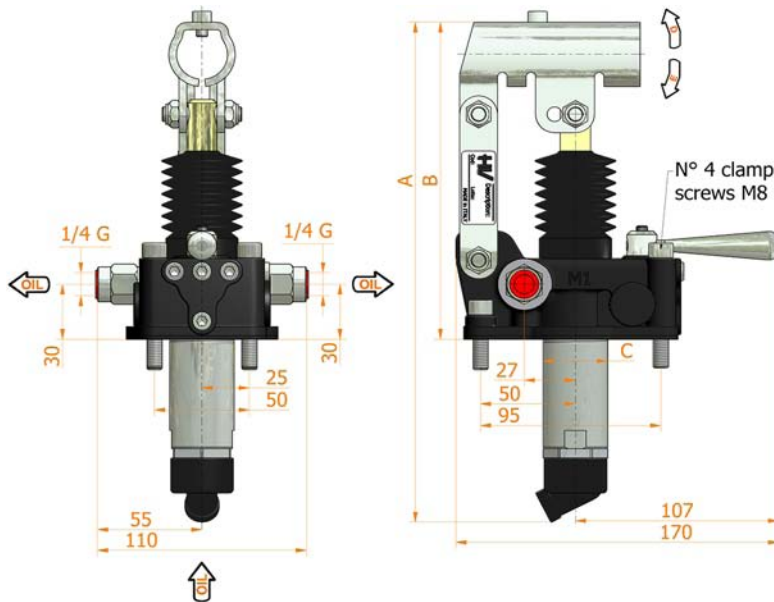
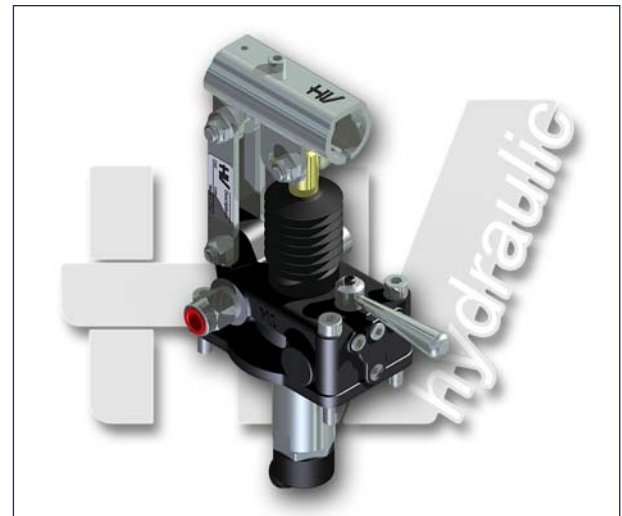
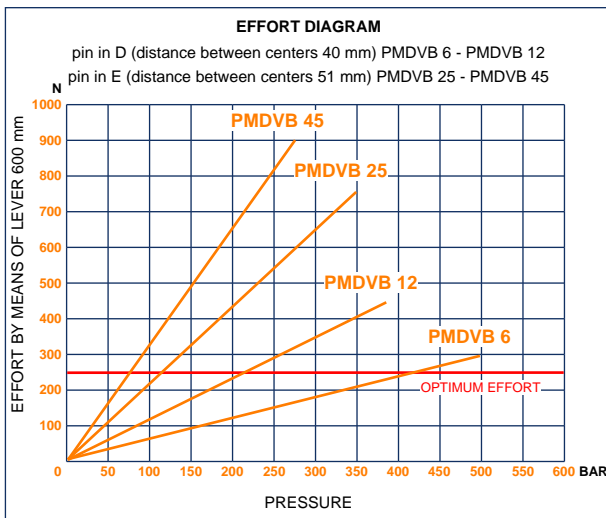
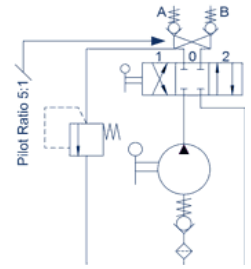
Specifications:

- Cast iron body
- Piston treated with Niploy
- White zinc plated support lever
- Lever connection Ø 27
- White zinc plated external parts
- Standard colour black
- Oil tank mounting kit included
- With hydraulic brakes to operate under 50 bar pressure
- Pressure relief valve standard setting: 100 bar

DISPLACEMENT cm ³	A mm	B mm	C mm	D °	E °	ACTUAL DISPLACEMENT cm ³	PRESSURE BAR		MASS KG	CODE WITHOUT BELLOWS	CODE WITH BELLOWS
							OPTIMAL	MAX			
6	253	166	34	26	31	6,970	420	500	3,400	6059.0104	6059.0105
12	253	166	34	26	31	12,095	220	380	3,400	6060.0104	6060.0105
25	273	172	34	30	30	25,280	120	350	3,450	6061.0104	6061.0105
45	283	172	40	45	33	44,532	80	280	3,500	6062.0104	6062.0105

PMDVB 6-12-25-45 byA-s

with 4/3 flow divider
with dual pilot check valve
with brakes - with pressure relief valve
double acting hand pump for a double acting cylinder
for fixing to tank



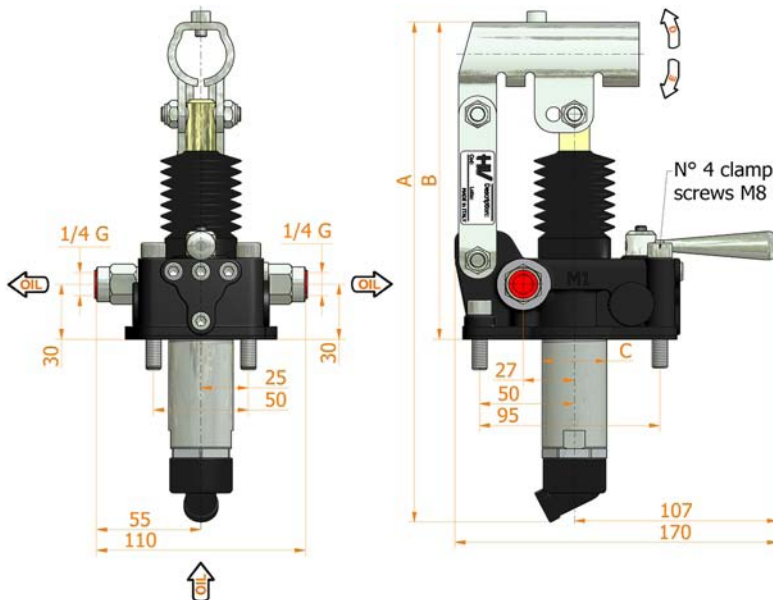
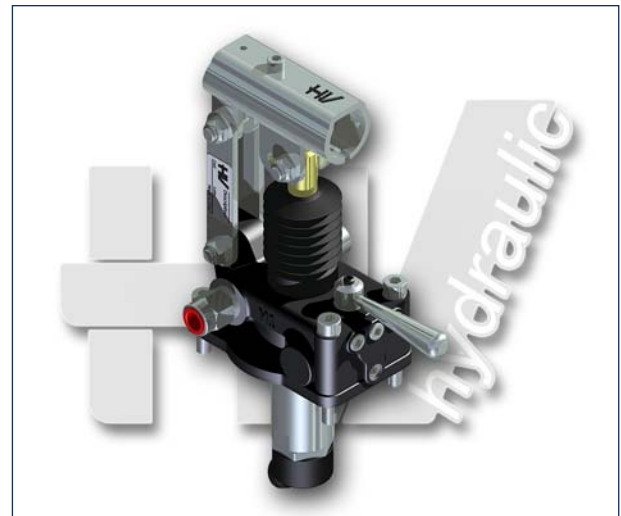
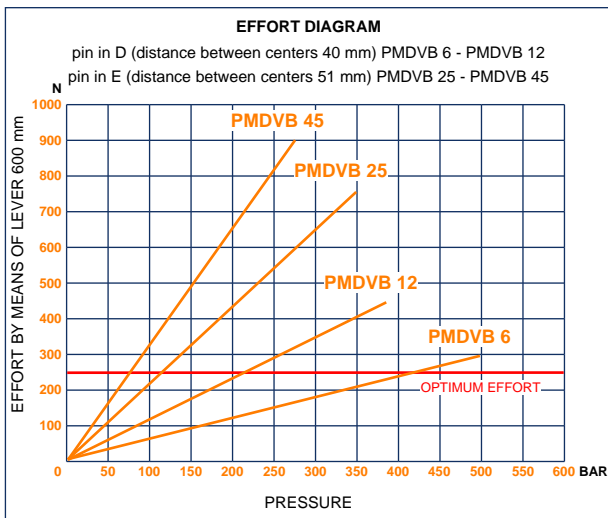
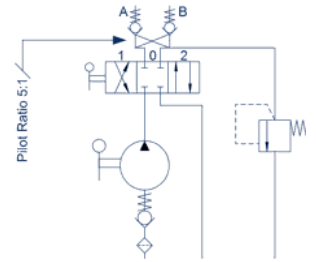
Specifications:

- Cast iron body
- Piston treated with Niploy
- White zinc plated support lever
- Lever connection Ø 27
- White zinc plated external parts
- Standard colour black
- Oil tank mounting kit included
- With hydraulic brakes to operate under 50 bar pressure
- Pressure relief valve standard setting: 100 bar

DISPLACEMENT cm ³	A mm	B mm	C mm	D °	E °	ACTUAL DISPLACEMENT cm ³	PRESSURE BAR		MASS KG	CODE WITHOUT BELLOWS	CODE WITH BELLOWS
							OPTIMAL	MAX			
6	253	166	34	26	31	6,970	420	500	3,400	6059.0106	6059.0107
12	253	166	34	26	31	12,095	220	380	3,400	6060.0106	6060.0107
25	273	172	34	30	30	25,280	120	350	3,450	6061.0106	6061.0107
45	283	172	40	45	33	44,532	80	280	3,500	6062.0106	6062.0107

PMDVB 6-12-25-45 byB-s

with 4/3 flow divider
 with dual pilot check valve
 with brakes - with pressure relief valve
 double acting hand pump for a double acting cylinder
 for fixing to tank



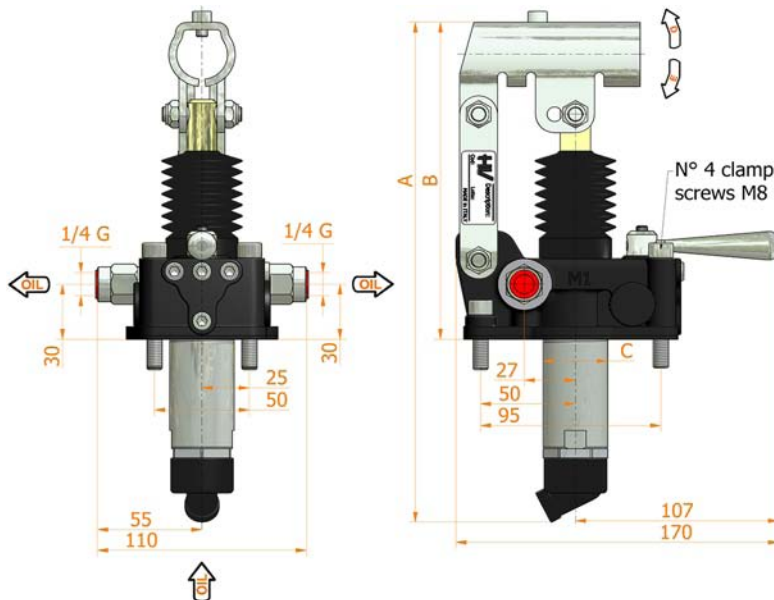
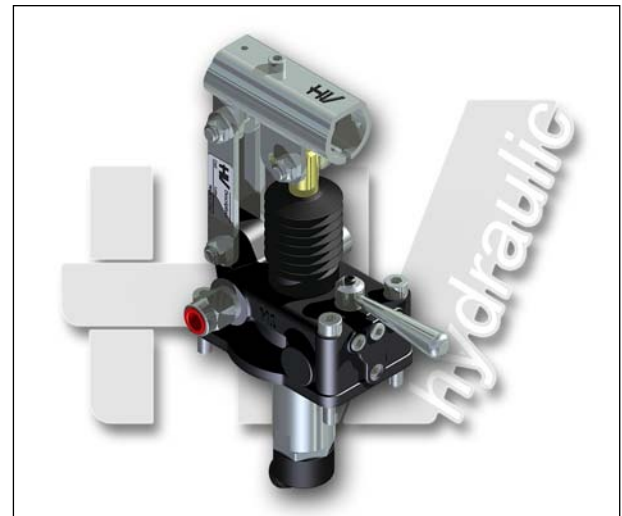
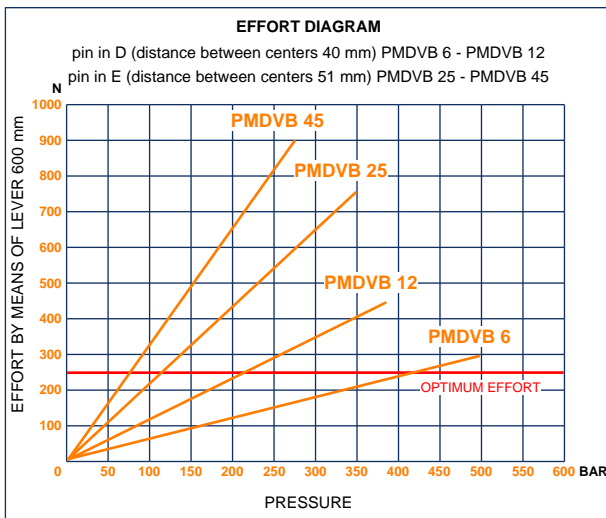
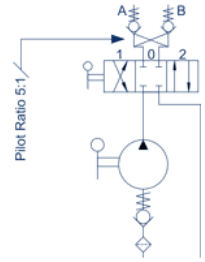
Specifications:

- Cast iron body
- Piston treated with Niploy
- White zinc plated support lever
- Lever connection Ø 27
- White zinc plated external parts
- Standard colour black
- Oil tank mounting kit included
- With hydraulic brakes to operate under 50 bar pressure
- Pressure relief valve standard setting: 100 bar

DISPLACEMENT cm ³	A mm	B mm	C mm	D °	E °	ACTUAL DISPLACEMENT cm ³	PRESSURE BAR		MASS KG	CODE WITHOUT BELLOWS	CODE WITH BELLOWS
							OPTIMAL	MAX			
6	253	166	34	26	31	6,970	420	500	3,400	6059.0102	6059.0103
12	253	166	34	26	31	12,095	220	380	3,400	6060.0102	6060.0103
25	273	172	34	30	30	25,280	120	350	3,450	6061.0102	6061.0103
45	283	172	40	45	33	44,532	80	280	3,500	6062.0102	6062.0103

PMDVB 6-12-25-45 s

with 4/3 flow divider
with dual pilot check valve
with brakes
double acting hand pump for a double acting cylinder
for fixing to tank



Specifications:

- Cast iron body
- Piston treated with Niploy
- White zinc plated support lever
- Lever connection Ø 27
- White zinc plated external parts
- Standard colour black
- Oil tank mounting kit included
- With hydraulic brakes to operate under 50 bar pressure

DISPLACEMENT cm ³	A mm	B mm	C mm	D °	E °	ACTUAL DISPLACEMENT cm ³	PRESSURE BAR		MASS KG	CODE WITHOUT BELLOWS	CODE WITH BELLOWS
							OPTIMAL	MAX			
6	253	166	34	26	31	6,970	420	500	3,400	6059.0100	6059.0101
12	253	166	34	26	31	12,095	220	380	3,400	6060.0100	6060.0101
25	273	172	34	30	30	25,280	120	350	3,450	6061.0100	6061.0101
45	283	172	40	45	33	44,532	80	280	3,500	6062.0100	6062.0101