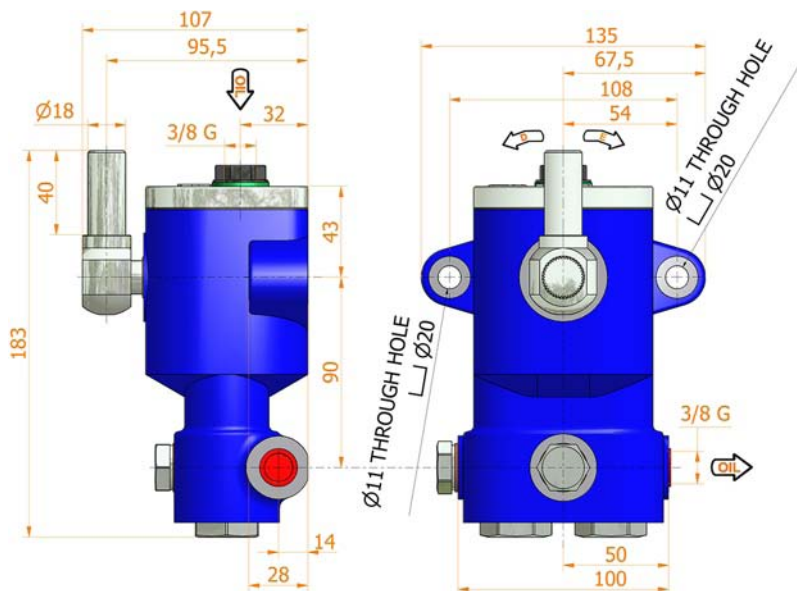
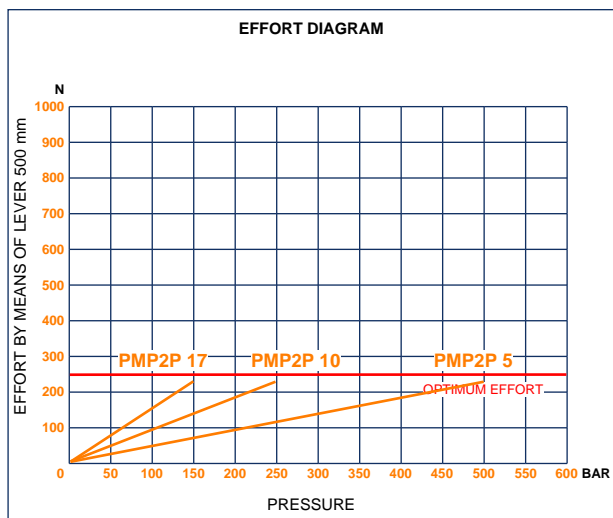
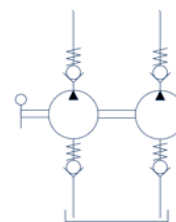


# PM2P 5-10-17 e

without release hand knob  
double acting hand pump for single acting cylinder  
for fixing both to a wall and to a tank



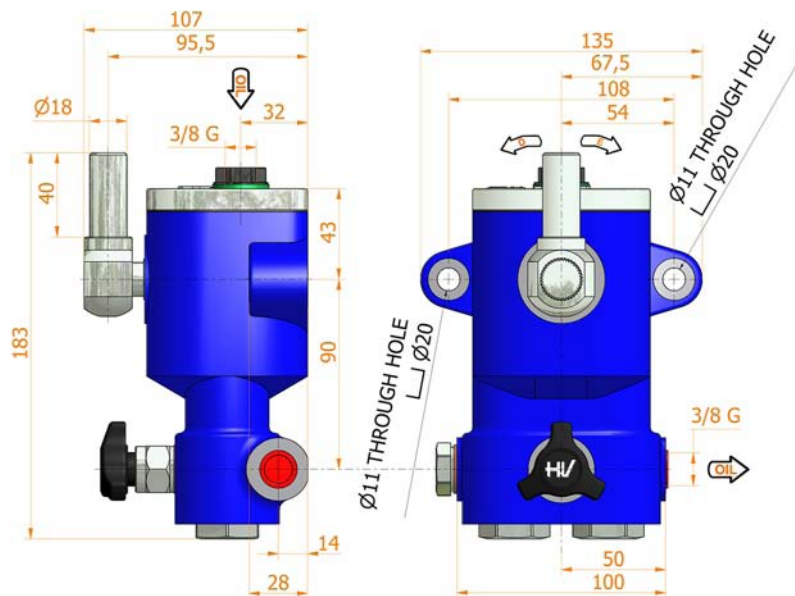
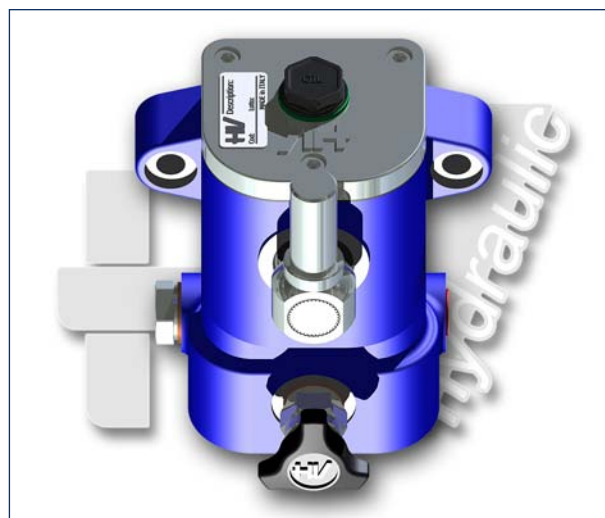
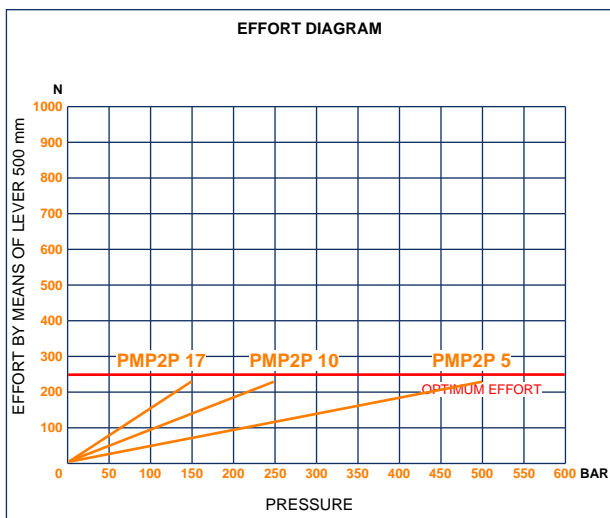
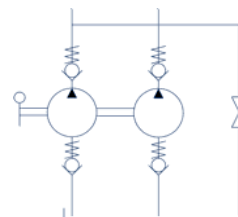
**Specifications:**

- Cast iron body
- White zinc plated support lever
- Lever connection Ø 18
- White zinc plated external parts
- Standard colour blue

DISPLACEMENT cm <sup>3</sup>	A mm	B mm	C mm	D °	E °	ACTUAL DISPLACEMENT cm <sup>3</sup>	PRESSURE BAR		MASS KG	CODE WITHOUT BELLOWS	CODE WITH BELLOWS
							OPTIMAL	MAX			
5	--	--	--	36	36	5,510	500	500	4,200	6091.0001	--
10	--	--	--	36	36	11,650	250	250	4,200	6092.0001	--
17	--	--	--	36	36	18,210	150	150	4,200	6093.0001	--

# PM2P 5-10-17

with release hand knob  
double acting hand pump for single acting cylinder  
for fixing both to a wall and to a tank



**Specifications:**

- Cast iron body
- White zinc plated support lever
- Lever connection Ø 18
- White zinc plated external parts
- Standard colour blue

DISPLACEMENT cm <sup>3</sup>	A mm	B mm	C mm	D °	E °	ACTUAL DISPLACEMENT cm <sup>3</sup>	PRESSURE BAR		MASS KG	CODE WITHOUT BELLOWS	CODE WITH BELLOWS
							OPTIMAL	MAX			
5	--	--	--	36	36	5,510	500	500	4,200	6091.0000	--
10	--	--	--	36	36	11,650	250	250	4,200	6092.0000	--
17	--	--	--	36	36	18,210	150	150	4,200	6093.0000	--