



WWW.TOTALHYDRAULICSBV.COM

VALV. DI BILANCIAMENTO SEMPL. EFF. CON SBLOCCO FRENO
FLANGIABILE SU MOTORI REXROTH SERIE A2FE 45-56-63

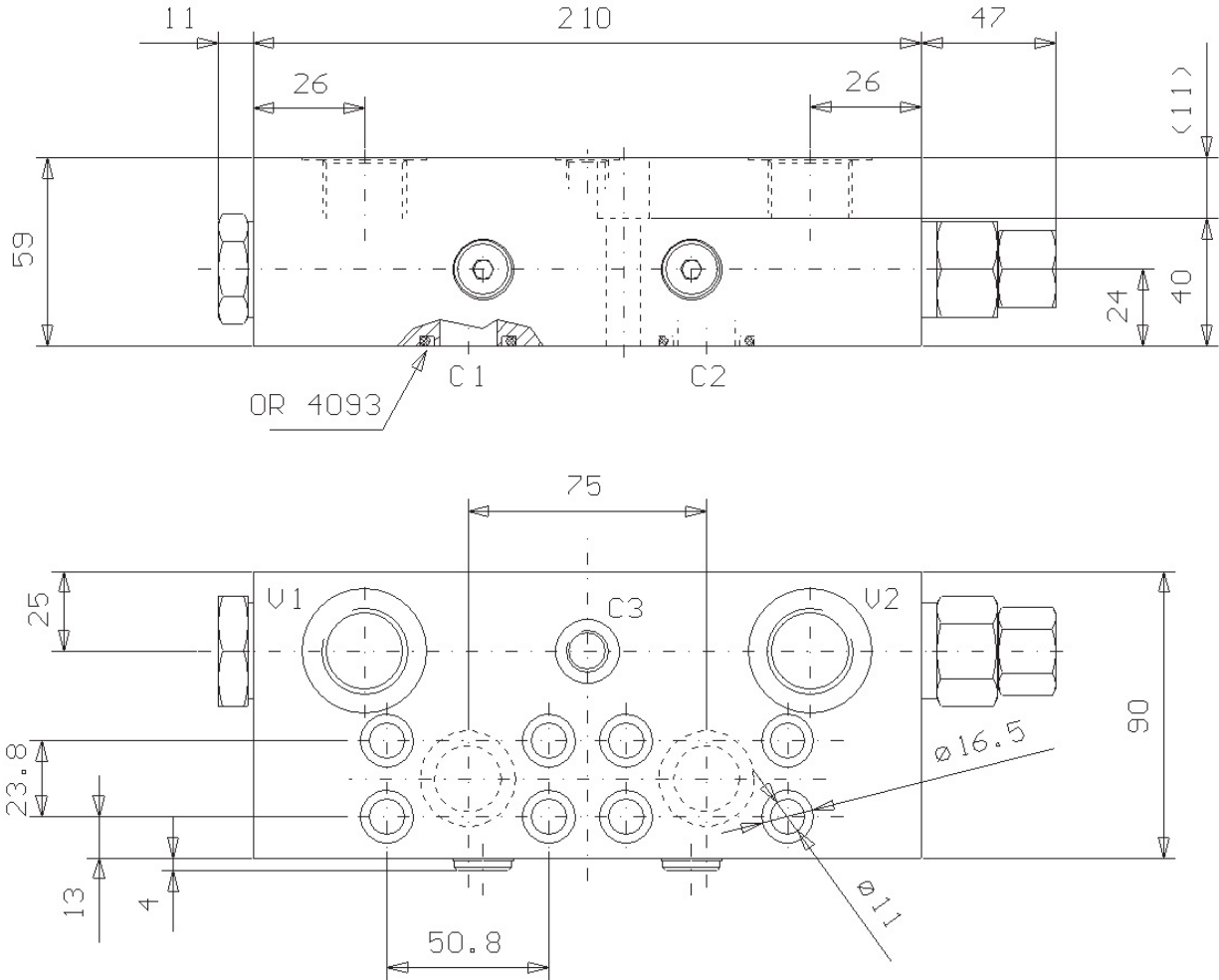
PILOT ASSISTED OVERCENTRE VALVE WITH BRAKE UNCLIPPING,
FLANGEABLE ON REXROTH MOTORS "A2FE 45-56-63" SERIES

Tipo/Type:

VBSE/TE/FL2/RX 340/SF

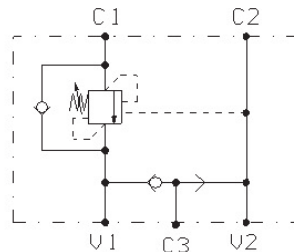
7

70.30



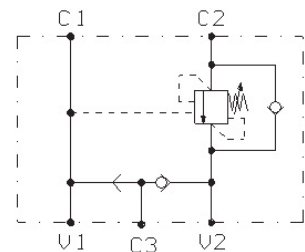
ATTACCHI / PORTS	
U1 - U2	G 3/4
C1 - C2	1/2 SAE 6000
C3	G 1/4

"SX VERSION"



VBSE/TE/FL2/RX 340/SF/S

"DX VERSION"



VBSE/TE/FL2/RX 340/SF/D

Rapp. Pilot.	
STANDARD	4:1
A richiesta <i>On request</i>	8:1

Press. max. (Bar)
350

Portata max. (l/min)
120