

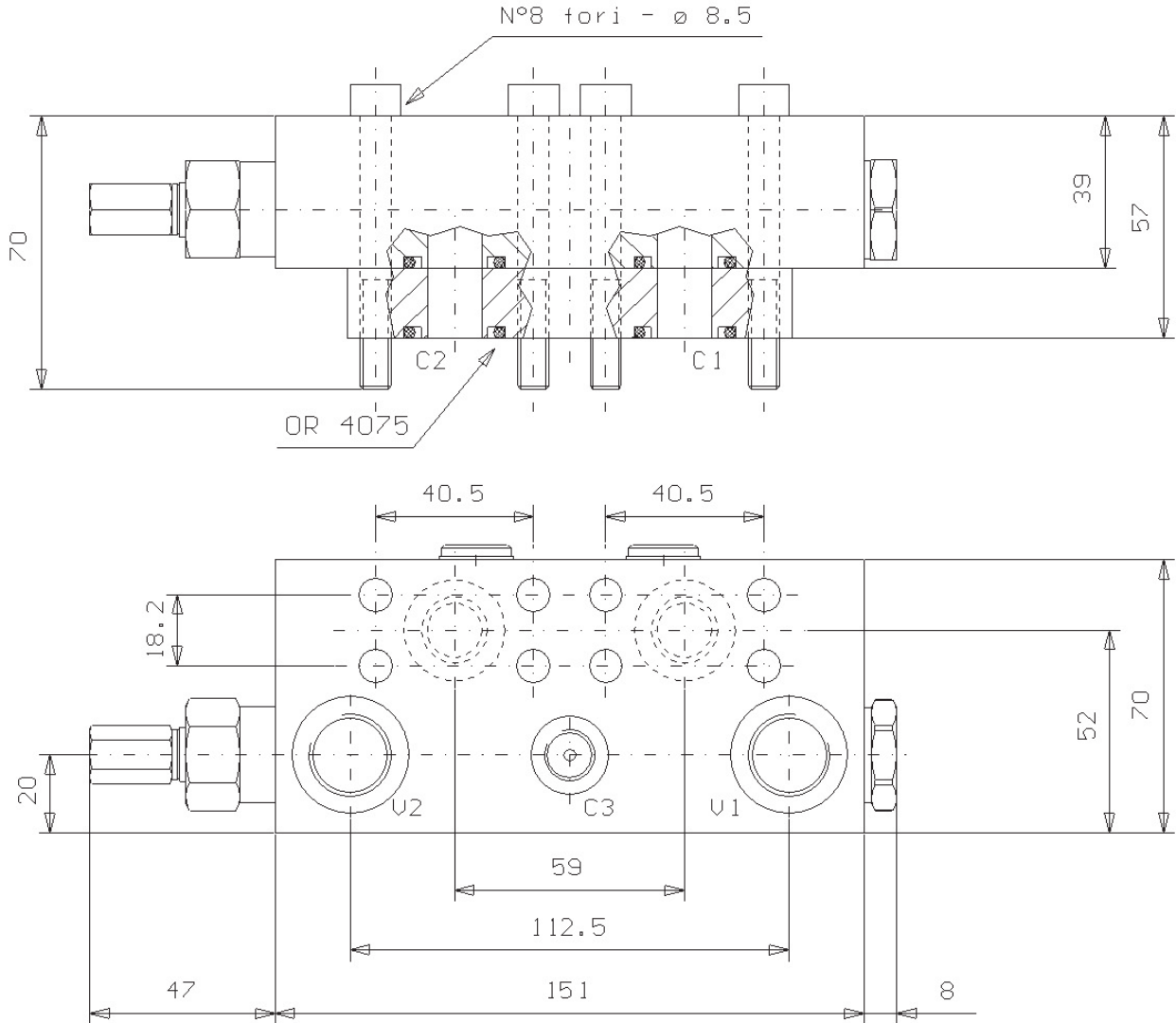


WWW.TOTALHYDRAULICSBV.COM

VALV. DI BILANCIAMENTO SEMPL. EFF. CON SBLOCCO FRENO
FLANGIABILE SU MOTORI REXROTH SERIE A2FE 28-32

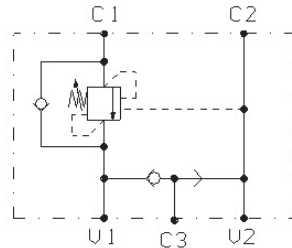
SINGLE PILOT ASSISTED OVERCENTRE VALVE, WITH BRAKE UNCLIPPING
FLANGEABLE ON REXROTH MOTORS "A2FE 28-32" SERIES

Tipo/Type: **VBSE/TR/FL/RX 120/SF** 7 70.20



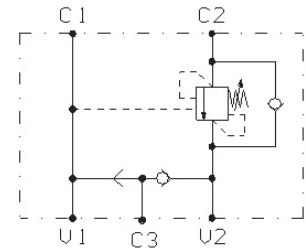
ATTACCHI / PORTS	
U1 - U2	G 1/2
C1 - C2	1/2 SAE 6000
C3	G 1/4

"SX VERSION"



VBSE/TR/FL/RX 120/SF/S

"DX VERSION"



VBSE/TR/FL/RX 120/SF/D

Rapp. Pilot.	
STANDARD	4.2:1
A richiesta <i>On request</i>	11:1

Press. max. (Bar)
250

Portata max. (l/min)
60